




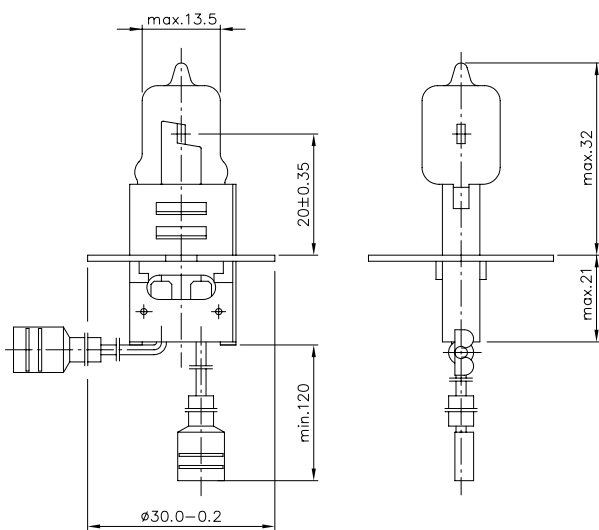
## Airfield Halogen Prefocus

	<b>Type 6132 LL</b> <b>6,6A 45W PK30d female</b>
	<b>Ordering - No.</b> <b>9230 183 85931</b>
<b>Product description</b>	Halogen Airfield Lamp with prefocus base
<b>Features</b>	high and constant lumen output, long lifetime, excellent optical adjustment, cement free prefocus base
<b>Applications</b>	Approach and threshold lights, Runway and taxiway lights, Stopbar and touch-down zone light visual approach slope indicator systems (e.g. PAPI) Airport signs

## Technical Details

Rated current (A)	6,6
Wattage (W)	45 W ± 10 %
Luminous flux (Lm)	800 lm ± 10 %
Lumen maintenance	min. 95 % after 1500 h
Average lifetime (hours)	2000
Base	PK30d
Cable connector	flat female according DIN 46247
Cable length (mm)	min. 120
Maximum Overall Length (mm)	max. 53
Bulb Diameter (mm)	max. 13,5
Light Center Length (mm)	20,0 +/-0,35
Maximum allowed cable temperature (°C)	250
Maximum allowed pinch temperature (°C)	350
Filament Type	C8
Burning Position	S90
Chromaticity	within white boundaries
Packaging quantity	100 pcs.
Environmental remark	 Product don't contain lead or mercury and is conform with Directive 2002/95/EC "Restriction of the use of certain hazardous substances in electrical and electronic equipment".

## Drawing (in mm)



valid from	31.03.2011—V4—PN11/0085
replace for	28.10.2010
file	9230/183/85900100.pub